



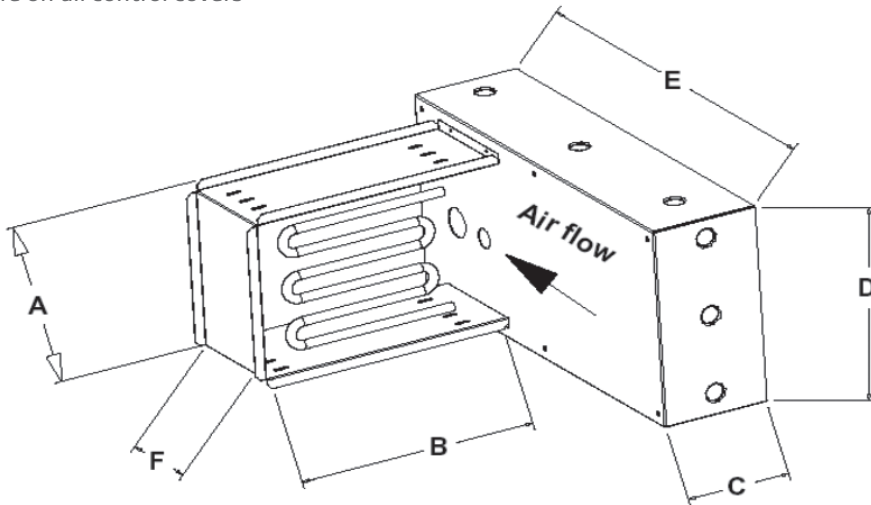
**MAIOCCO & ASSOCIATES**  
HEAT TRANSFER SOLUTIONS | WWW.MCACOILS.COM



## ELECTRIC DUCT HEATERS

Maiocco & Associates offers Bel Thermal Units (BTU) U.L., CSA or A.R.L. listed and labeled insert duct heaters suitable for zero clearance installations in either vertical or horizontal duct systems. They may be used with heat pumps, cooling units or any forced air system.

- Contactor(s)–full line break– and protective devices are included
- Automatic reset thermal limit switches are used as primary protective devices
- Manually resettable devices are in the power circuits as back-up protection
- 24v standard control circuits and stainless steel hardware
- Full line break on all ungrounded conductors
- Control panels and shrouds are of heavy galvanized steel
- Open wound helically coiled nickel/chrome alloy elements are set in frames of sturdy galvanized steel with rugged steatite insulators and stainless steel terminations
- Hinges and latches are on all control covers



Horizontal - Left to Right Air Flow Shown

ITEM#	QTY.	MODEL NUMBER	TOTAL KW	ELECTRICAL RATING	TOTAL AMPS	MCA	MOCP	STAGES	KW PER STAGE	OPTIONS BY #	DIMENSIONS IN INCHES					
											A	B	C	D	E	F

FIELD TAKE OFF

FIELD TAKE OFF

MOUNTED UL / ARL LISTED OPTIONS AVAILABLE WITH DUCT HEATERS			
1.	AIR PRESSURE SWITCH POSITIVE PRESSURE (STANDARD)	10.	CONTROL VOLTAGES - 120V TO 277 V
1A.	FAN INTERLOCK RELAY (W/AIR SWITCH)	11.	PE (PNEUMATIC ELECTRIC) SWITCH PER STAGE
2.	CIRCUIT FUSING - 48 AMPS OR LESS	12.	MERCURY CONTACTORS (SILENT)
3.	CONTROL PANEL INSULATION	13.	LOW WATT DENSITY ELEMENTS
4.	CONTROL PANEL FOILED	14.	EXTRA LOW WATT DENSITY ELEMENTS
5.	SPECIAL CONSTRUCTION	15.	PILOT RELAYS
6.	SPECIAL DIMENSIONS	16.	DISCONNECT SWITCH UNFUSED
7.	TRANSFORMERS - STEP DOWN TO 24 V CLASS 2	17.	100% SCR CONTROLS
7A.	TRANSFORMER - STEP DOWN TO 120 V W/FUSE		INPUT SIGNAL 0-10VDC OR 4-20 MA
8.	PILOT LIGHT	18.	STEP CONTROLLER, NUMBER OF STAGES
9.	BACK UP CONTACTOR	19.	THERMOSTAT (MODEL NUMBER)
NOTES: CFM		FPM	TEMPERATURE RISE
			PRESSURE DROP (IN / WC)

3 POLE

ADD 2.5" - 5" TO D / E DIMENSION

